


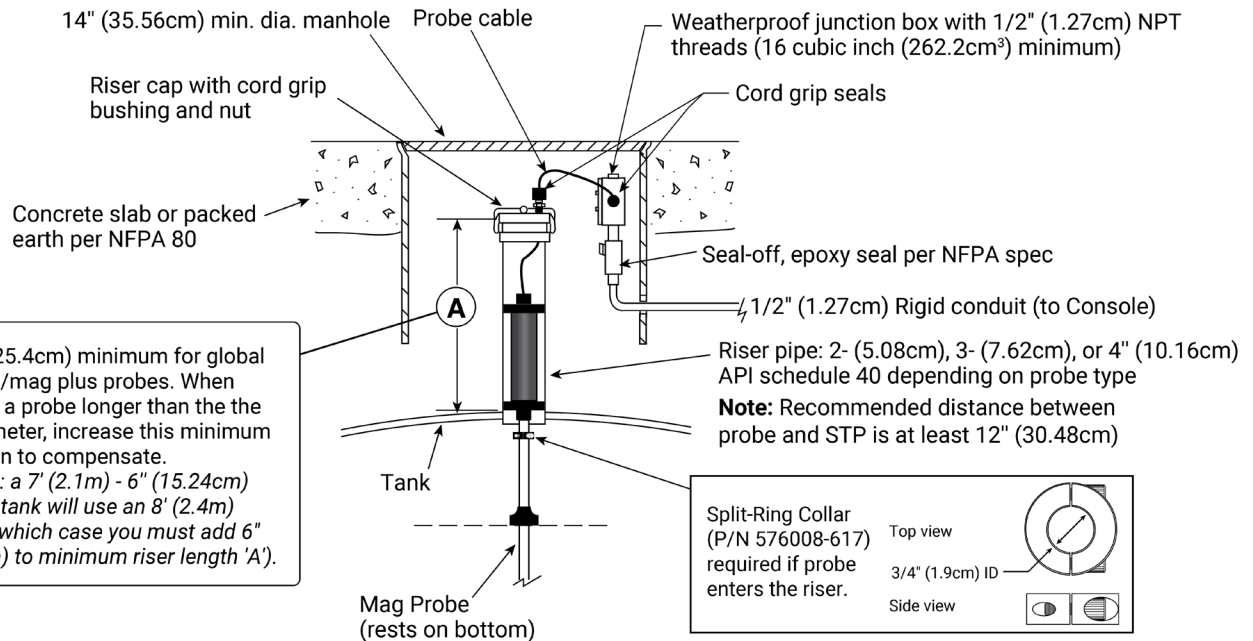
<b>Probe Description &amp; Product Application</b>	<b>Stainless Steel Mag Plus In-Tank Probe for Monitoring Gasoline &amp; Retail Diesel Products, with Water Detection in both USTs &amp; ASTs</b>	
--	--	---

Specific Products Monitored / Product Compatibility	Part # & Description	Specific Products	Monitoring Functionality
	<b>Leak Detection / BIR – AccuChart Probes</b> 1. 0846397-1xx Stainless Steel (SS) In-Tank Probe with High Grade Polymer (HGP) Canister with Water Detection & 0.1GPH Testing Capability, UL 2. 0846397-2xx SS In-Tank Probe with HGP Canister with Water Detection & 0.2GPH Testing Capability, UL  <b>No Leak Detection/Inventory Only Probes</b> 1. 0846397-3xx SS with HPG Canister with Water Detection & No Leak Detection/ Inventory Only, UL	Gasohol (<=20% Ethanol) *	A. 0.1 GPH static in-tank testing for USTs only
		Gasoline with <=7% Methanol and 8% TBA *	B. 0.2 GPH static in-tank testing for USTs only
		Gasoline with <=15% MTBE	C. 0.2 GPH Continuous Statistical Leak Detection (CSLD) for USTs only
		Gasoline with <=17% TAME	
		Leaded Gasoline	D. No Leak Detection / Inventory Only for USTs & ASTs
		Premium Unleaded Gasoline *	E. BIR – AccuChart for USTs only
		Regular Unleaded Gasoline *	
		Gasoline with <=15% ETBE	
		Gasoline with <=12% TBA *	
		Aviation Gas	
		<b>Only compatible with the Diesel Float Kit</b>	
		Diesel (Fuel Oil #2)	
		Kerosene (Fuel Oil #1)	
		Bio Diesel (Low Density) **	
Mineral Spirits			
* Compatible with Phase Separation Float Kit			
** Tank testing approved for: B6-B20 meeting ASTM D7467 and B100 meeting ASTM D6751			

Console Compatibility	Maximum Probes / Console	Probe Interface Modules				
		Module Part #	Module Description	# of Modules per Console	# of Probe Inputs per Module	Availability
TLS-450PLUS (8600 Series) with TLS-XB installed (3 max per system)	64 (32 with BIR)	0332812-001	Universal Sensor Module (USM) Interface for Probes, Sensors, and DPLLD	Up to 4 - TLS-4xx	16	Sold Separately (either Factory Installed or as a Spare Module)
TLS4 (8601 Series)	12	No module required, probe input capability factory installed				
TLS4B (8601 Series)	6					
TLS-350/R/PLUS	16	0329356-002	4-Input Probe Interface Module	4	4	Sold Separately (either Factory Installed or as a Spare Module)
TLS-300i	4	No module required, probe input capability factory installed				
TLS-300C	2					

Float Installation Kits	Part # & Description	Float Size	Cable Lengths	Min/Max Probe Length
Float Installation Kits	0886100-xx0 Mag Plus Phase Separation Float Kit	4" (10.16cm)	5' (1.5m), 10' (3.05m)	48" (1.2m) - 144" (3.66m)
	0846400-1x0 Mag Plus Gasoline Float Kit	2" (5.08cm)		
	0846400-0x1 Mag Plus Diesel Float Kit	4" (10.16cm)		
	0846400-1x1 Mag Plus Diesel Float Kit	2" (5.08cm)		
Other Installation Accessories	0312020-952 4" (10.16cm) NPT Riser Cap and Ring Kit for In-Tank Probes 0330020-282 4" (10.16cm) Threaded NPT Riser Cap for In-Tank Probes			
Specifications	Product	Water		
Measurement Accuracy	+/- 0.0300" (0.762mm)	+/- 0.0300" (0.762mm)		
Resolution – One Sample Reading	+/- 0.002857" (0.072571mm)	+/- 0.002857" (0.072571mm)		
Minimum Measurement – 2" (5.08cm) Float Kits	3.23" (8.2cm)	0.867" (2.2cm)		
Minimum Measurement – 4" (10.16cm) Float Kits	3.04" / 7.0" for Phase Sep.	0.630" (1.6cm)		
Operating (Working) Temperature Range	-40°F to +122°F (-40°C to +50°C)			
Third Party Evaluation / Agency Listings & Links	UL, cUL, ATEX, IECEx <a href="http://www.nwglde.org/evals/veeder_root_j.html">http://www.nwglde.org/evals/veeder_root_j.html</a>			
Product Installation Guide Link	<a href="https://www.veeder.com/us/technical-document-library">https://www.veeder.com/us/technical-document-library</a>			

### Example Installation



# Notice

---

Veeder-Root makes no warranty of any kind with regard to this publication, including, but not limited to, the implied warranties of merchantability and fitness for a particular purpose.

**Veeder-Root shall not be liable for errors contained herein or for incidental or consequential damages in connection with the furnishing, performance, or use of this publication.**

Veeder-Root reserves the right to change system options or features, or the information contained in this publication.

This publication contains proprietary information which is protected by copyright. All rights reserved. No part of this publication may be photocopied, reproduced, or translated to another language without the prior written consent of Veeder-Root.

## **Example Illustrations**

Illustrations used in this guide for example sensor installations may contain components that are customer supplied and not included with the sensor. Please check with your Veeder-Root Distributor for recommended installation accessories.

## **Third Party Evaluations**

Third party evaluations of the Veeder-Root sensors contained in this application guide can be found under the Veeder-Root vendor name on the National Work Group on Leak Detection Evaluations (NWGLDE) website: <http://www.nwglde.org>